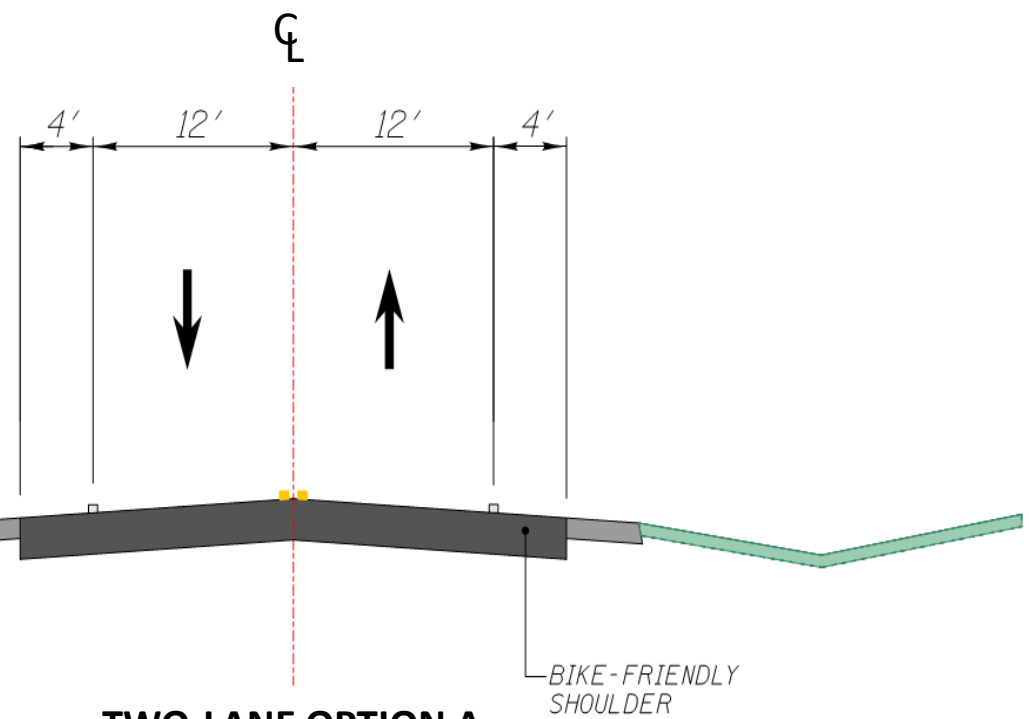


# PHASE I Preliminary Engineering & Environmental Studies: HAINESVILLE ROAD ROADWAY IMPROVEMENTS from Washington Street to Rollins Road

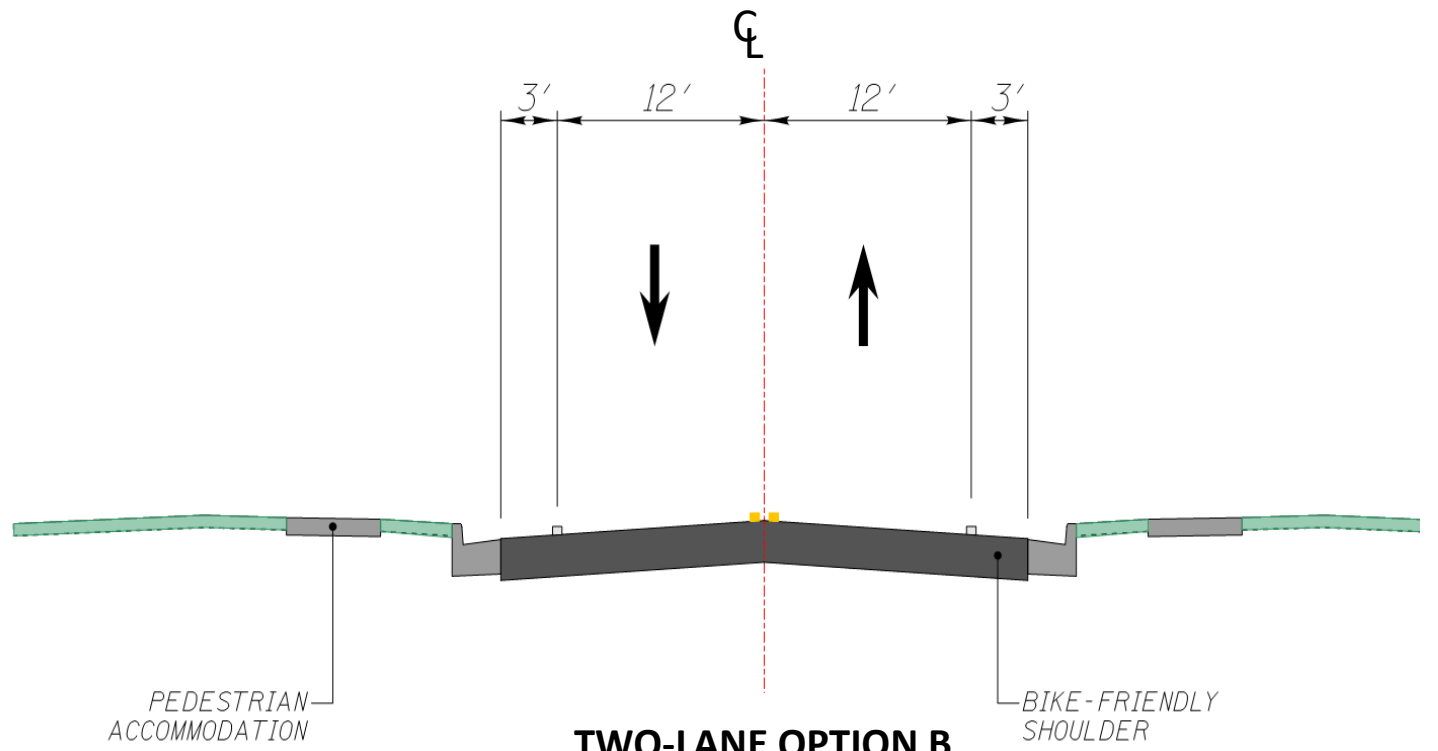
## TYPICAL SECTION OPTIONS:

HAINESVILLE ROAD

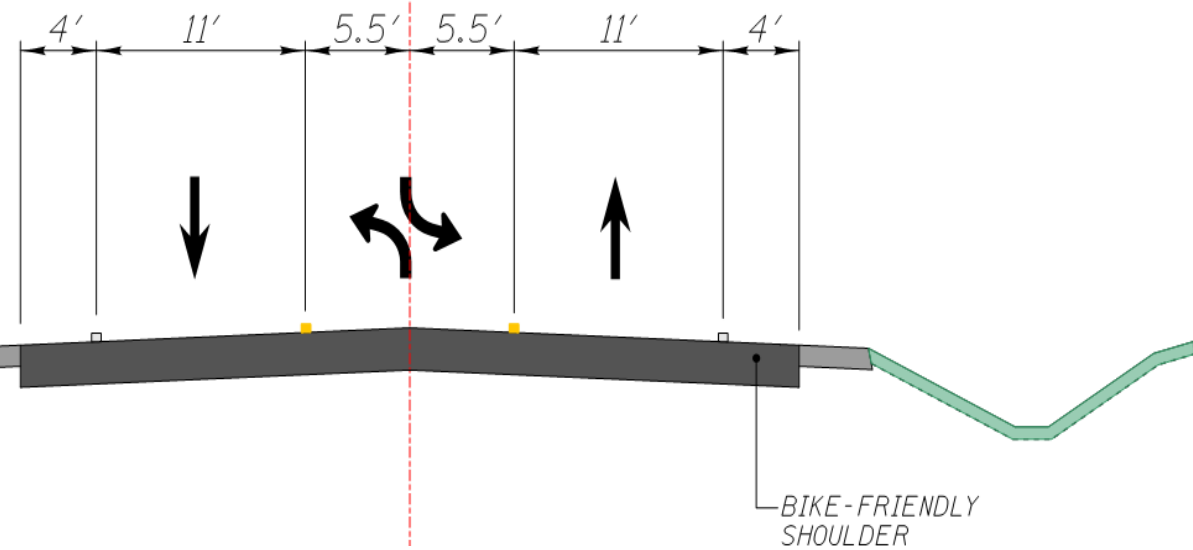


**TWO-LANE OPTION A**  
No Pedestrian Accommodations

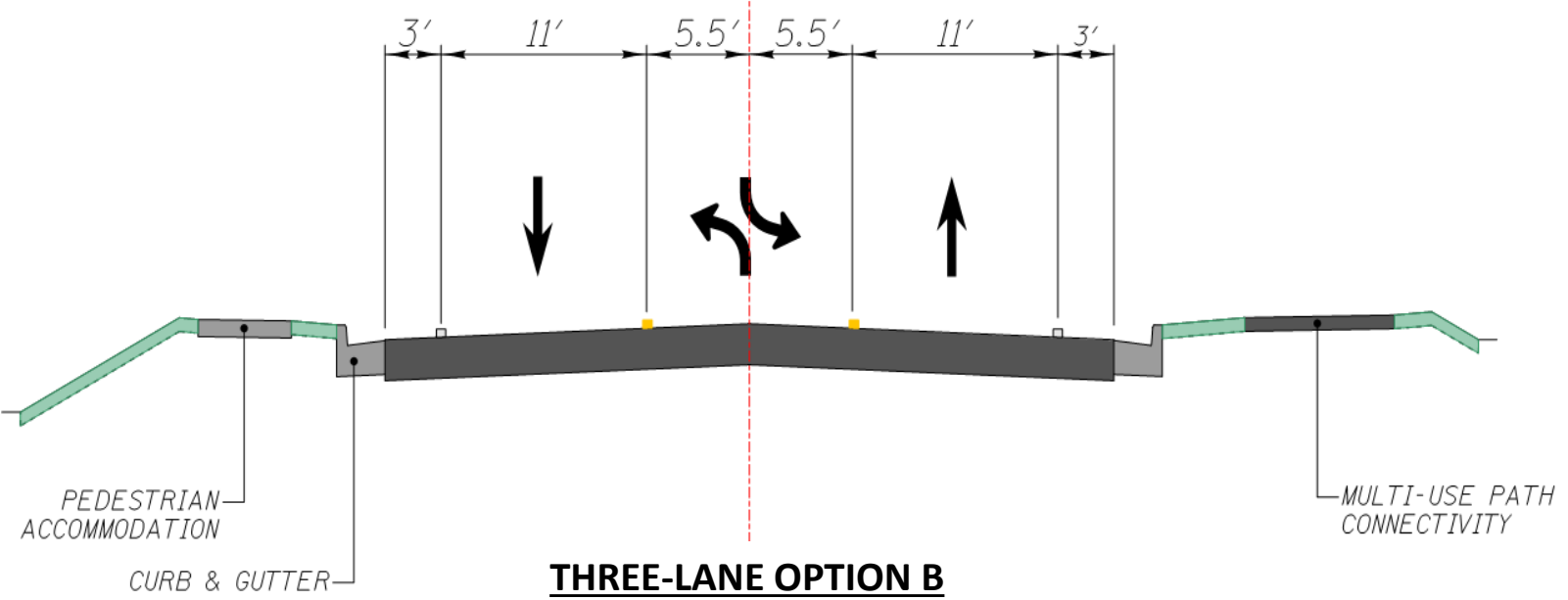
HAINESVILLE ROAD



**TWO-LANE OPTION B**  
Pedestrian/Bicyclist Accommodations



**THREE-LANE OPTION A**  
No Pedestrian Accommodations



**THREE-LANE OPTION B**  
Pedestrian/Bicyclist Accommodations