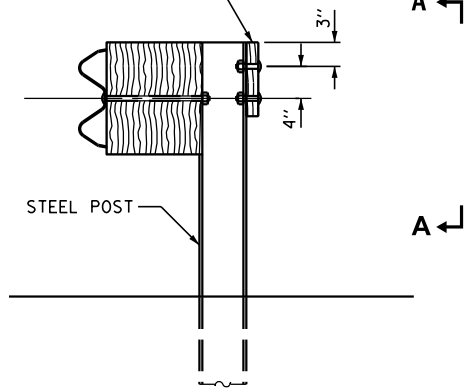
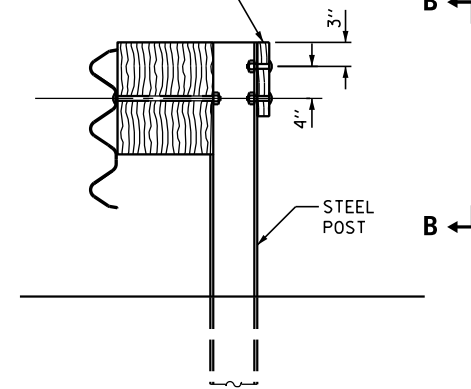


2"x10" GREY COMPOSITE TIMBER
(SEE SPECIAL PROVISIONS)
INSTALL FLUSH WITH TOP OF POST.

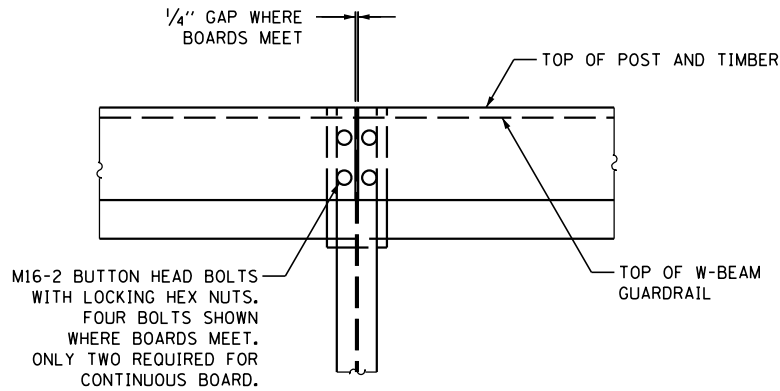


**ELEVATION WITH
W-BEAM GUARDRAIL**

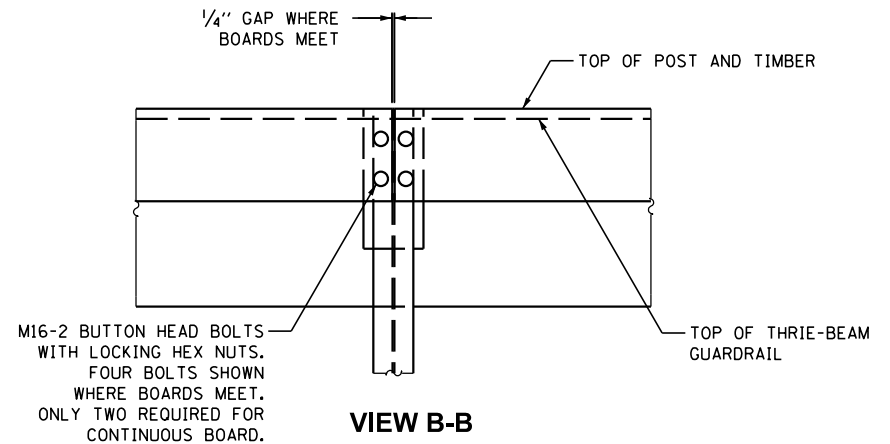
2"x10" GREY COMPOSITE TIMBER
(SEE SPECIAL PROVISIONS)
INSTALL FLUSH WITH TOP OF POST.



**ELEVATION WITH
THRIE-BEAM GUARDRAIL**



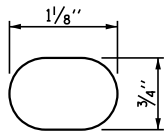
VIEW A-A



VIEW B-B

M16-2 BUTTON HEAD BOLTS
WITH LOCKING HEX NUTS.
FOUR BOLTS SHOWN
WHERE BOARDS MEET.
ONLY TWO REQUIRED FOR
CONTINUOUS BOARD.

M16-2 BUTTON HEAD BOLTS
WITH LOCKING HEX NUTS.
FOUR BOLTS SHOWN
WHERE BOARDS MEET.
ONLY TWO REQUIRED FOR
CONTINUOUS BOARD.



BOLT HOLE DETAIL

DUE TO EXPANSION AND CONTRACTION OF THE COMPOSITE TIMBER, THE LOCATION OF THE BOLTS WITH RESPECT TO THE SLOTTED BOLT HOLES IN THE COMPOSITE TIMBER WILL BE DEPENDANT ON THE AMBIENT TEMPERATURE AT PLACEMENT. CONSULT THE MANUFACTURER FOR BOLT HOLE LOCATION IN THE COMPOSITE TIMBER AND BOLT LOCATION IN THE SLOTTED BOLT HOLE.

GENERAL NOTE: FOR DETAILS OF GUARDRAIL ELEMENTS NOT SHOWN, SEE IDOT STANDARD 630001.

REVISIONS	DATE

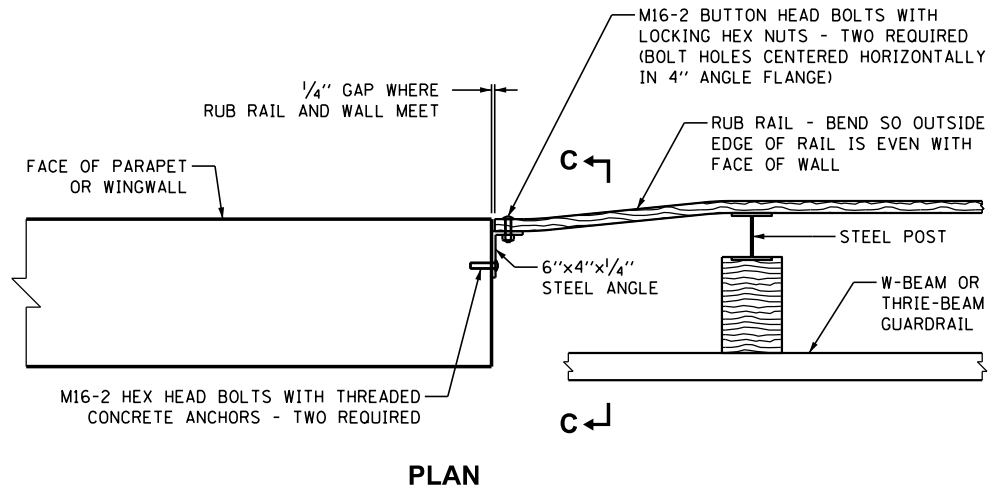


APPROVED BY: M.G. ZEMAITIS
DATE: APRIL 29, 2021

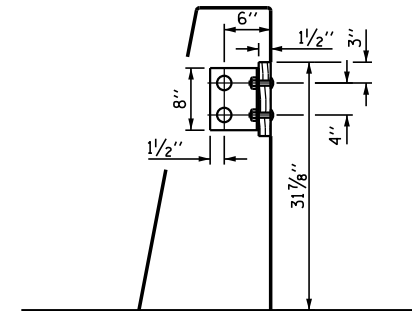
**BACK SIDE PROTECTION
OF GUARDRAIL**

SHEET 1 OF 2

LC6625



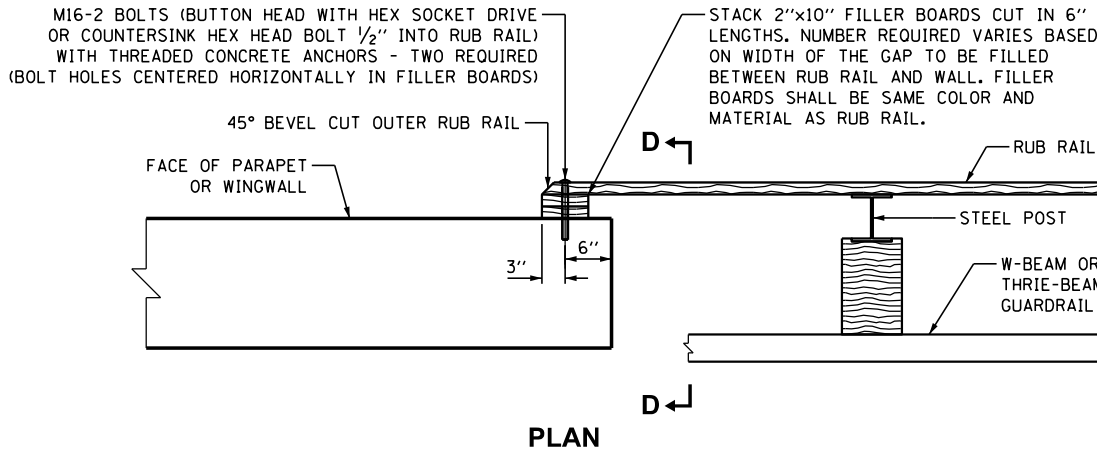
PLAN



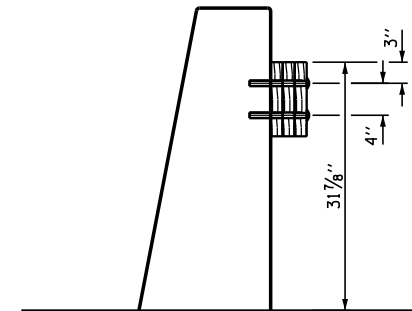
ELEVATION
VIEW C-C

(GUARDRAIL OMITTED FOR CLARITY)

RUB RAIL END TREATMENT WITH LESS THAN 1.5" GAP BETWEEN FACE OF WALL



PLAN



ELEVATION
VIEW D-D

(GUARDRAIL OMITTED FOR CLARITY)

RUB RAIL END TREATMENT WITH GREATER THAN 1.5" GAP BETWEEN FACE OF WALL

REVISIONS	DATE



APPROVED BY: M.G. ZEMAITIS
DATE: APRIL 29, 2021

**BACK SIDE PROTECTION
OF GUARDRAIL**

SHEET 2 OF 2

LC6625