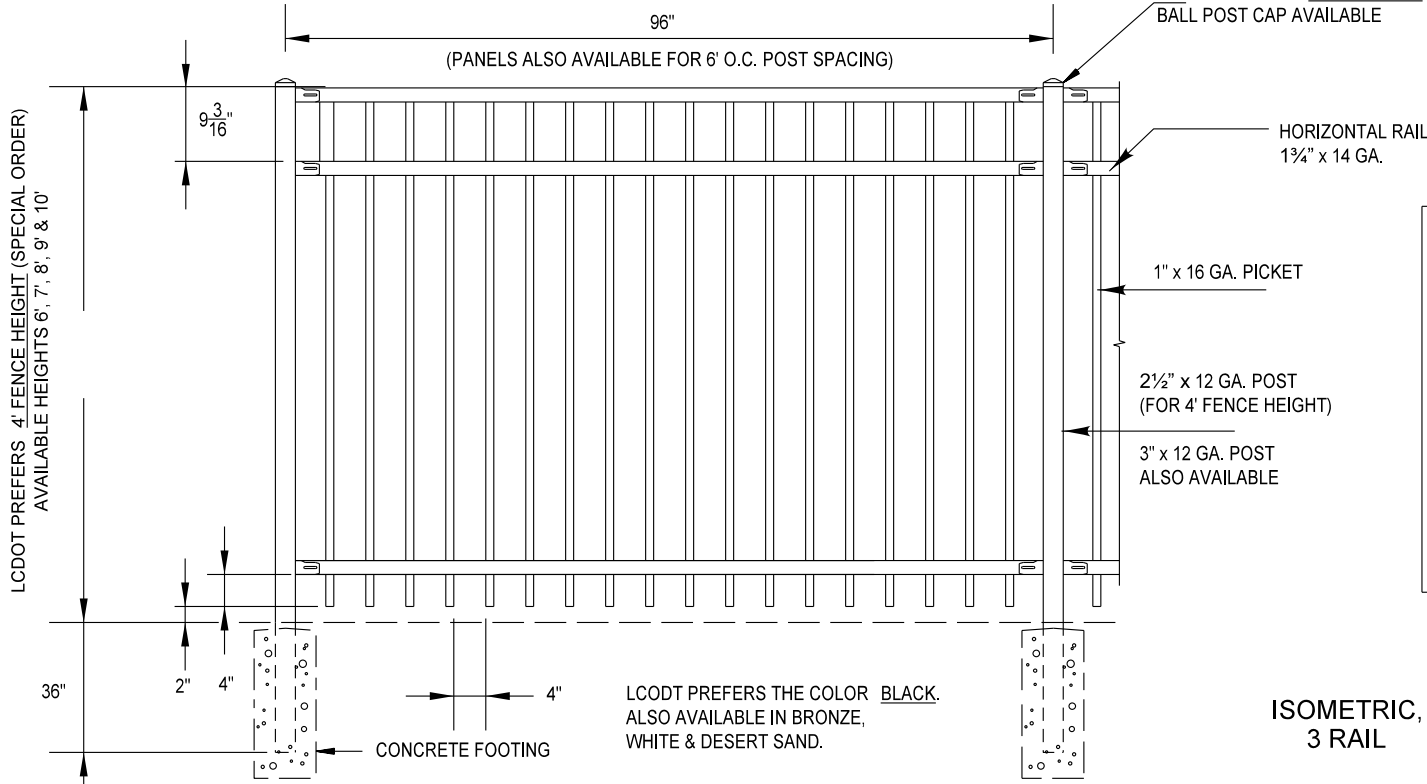
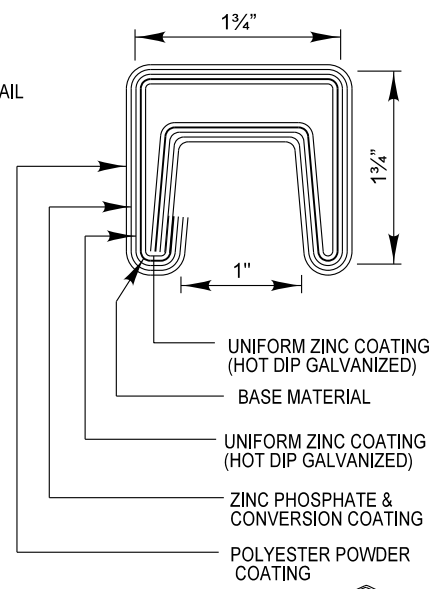


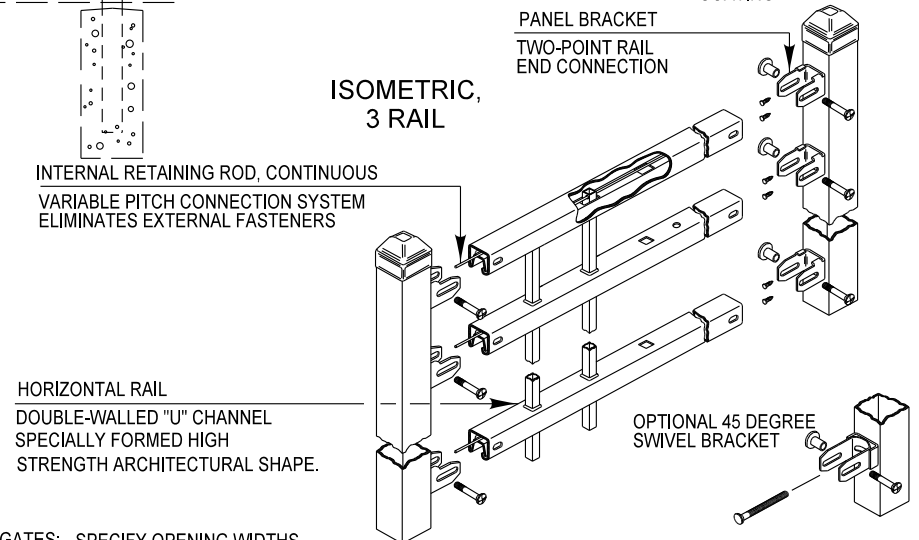
ELEVATION, 3-RAIL, 8' NOM. LENGTH



CROSS SECTION OF HORIZONTAL RAIL



ISOMETRIC, 3 RAIL



Post Selection for Fence Height 6' - 10'				
Wind Loading				
Fence Height (FT)	Rail Length (FT)	Post Size	Wind Load Capacity Factor (PSF)	Typical Wind Load Capacity (mph)
6	6	2 1/2" x 12 GA.	45.5	133.0
		3" x 12 GA.	54.6	146.0
	8	2 1/2" x 12 GA.	34.2	116.0
		3" x 12 GA.	41.0	127.0
7	6	2 1/2" x 12 GA.	33.4	114.0
		3" x 12 GA.	40.0	125.0
	8	2 1/2" x 12 GA.	25.0	99.0
		3" x 12 GA.	30.0	108.0
8	6	2 1/2" x 12 GA.	25.6	100.0
		3" x 12 GA.	30.7	110.0
	8	2 1/2" x 12 GA.	19.2	87.0
		3" x 12 GA.	23.0	95.0
9	6	4" x 12 GA.	30.6	110.0
		4" x 12 GA.	32.0	113.0
10	6	4" x 12 GA.	28.7	107.0

GATES: SPECIFY OPENING WIDTHS
SINGLE _____ QUANTITY _____
DOUBLE _____ QUANTITY _____

REVISIONS	DATE
Text Update	7/15/11

Lake County
Division of Transportation

APPROVED BY: M. G. ZEMAITIS
DATE: APRIL 1, 2007

**ORNAMENTAL FENCE
THREE RAIL
(ONE MFGR'S DETAILS)**

LC6601